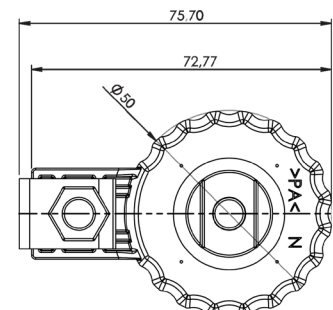
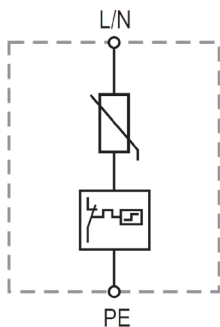




Technical data:		A PRO 10/275	A PRO 10/440	A PRO 10/670
Network	U_n	230/400 V	230/400 V	230/400 V
Max. AC operating voltage	U_c AC	275 Vac	440 Vac	670 Vac
IEC Test class		Test class II	Test class II	Test class II
Rated frequency	f_n	50/60 Hz	50/60 Hz	50/60 Hz
Temporary Over Voltage (TOV)				
Characteristics - 5 sec.	UT	330 Vac / 5 sec. Withstand	520 Vac / 5 sec. Withstand	800 Vac / 5 sec. Withstand
Response Time	t_a	< 20 ns	< 20 ns	< 20 ns
Temperature Range	T	-40 °C ... +85 °C	-40 °C ... +85 °C	-40 °C ... +85 °C
"Nominal discharge current 15 x 8/20 μ s impulses"	I_n	10 kA	10 kA	10 kA
"Max. discharge current max. @ 8/20 μ s by pole"	I_{max}	50 kA	50 kA	50 kA
Apsorption energy	W	4,41 kJ/kVUc	4,39 kJ/kVUc	3,11 kJ/kVUc
Protection level @ I_n	U_p-I_n	1,0 kV	1,8 kV	2,5 kV
Protection level @ 50 kA	U_p-50kA	1,5 kV	2,5 kV	3,4 kV
Ingress protection level	IP	66	66	66
Coating		Polymer V-O	Polymer V-O	Polymer V-O
Apsorption energy	W		4,41 kJ/kVUc	
Protection level @ I_n	U_p-I_n			
Protection level @ 50 kA	U_p-50kA	1,5 kV	2,5 kV	3,4 kV
Mechanical characteristics				
Ingress protection level	IP	66	66	66
Coating		Polymer V-O	Polymer V-O	Polymer V-O
Order informations		Order Code	Weight	
A PRO 10/275		800 004		
A PRO 10/440		800 005		
A PRO 10/670		800 006		

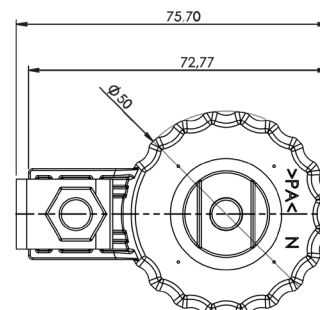
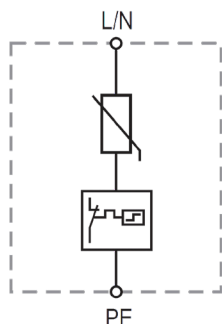


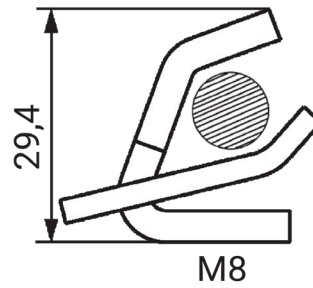
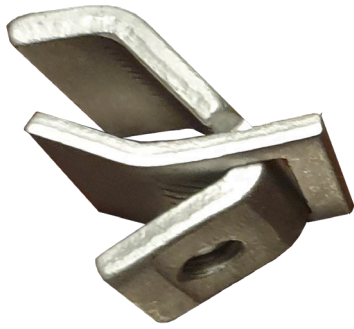


A PRO x xxx
 └──────────┬──────────┘
 Operating voltage
 In=15 kA



Technical data:		A PRO 15/275	A PRO 15/440	A PRO 15/670
Network	U_n	230/400 V	230/400 V	230/400 V
Max. AC operating voltage	U_c AC	275 Vac	440 Vac	670 Vac
IEC Test class		Test class II	Test class II	Test class II
Rated frequency	f_n	50/60 Hz	50/60 Hz	50/60 Hz
Temporary Over Voltage (TOV)				
Characteristics - 5 sec.	UT	330 Vac / 5 sec. Withstand	520 Vac / 5 sec. Withstand	800 Vac / 5 sec. Withstand
Response Time	t_a	< 20 ns	< 20 ns	< 20 ns
Temperature Range	T	-40 °C ... +85 °C	-40 °C ... +85 °C	-40 °C ... +85 °C
"Nominal discharge current 15 x 8/20 μ s impulses"	I_n	15 kA	15 kA	15 kA
"Max. discharge current max. @ 8/20 μ s by pole"	I_{max}	50 kA	50 kA	50 kA
Apsorption energy	W	4,41 kJ/kVUc	4,39 kJ/kVUc	3,11 kJ/kVUc
Protection level @ I_n	U_p - I_n	1,2 kV	1,8 kV	2,5 kV
Protection level @ 50 kA	U_p -50kA	1,5 kV	2,5 kV	3,4 kV
Ingress protection level	IP	66	66	66
Coating		Polymer V-O	Polymer V-O	Polymer V-O
Apsorption energy	W		4,41 kJ/kVUc	
Protection level @ I_n	U_p - I_n			
Protection level @ 50 kA	U_p -50kA	1,5 kV	2,5 kV	3,4 kV
Mechanical characteristics				
Ingress protection level	IP	66	66	66
Coating		Polymer V-O	Polymer V-O	Polymer V-O
Order informations		Order Code	Weight	
A PRO 15/275		800 001		
A PRO 15/440		800 002		
A PRO 15/670		800 003		



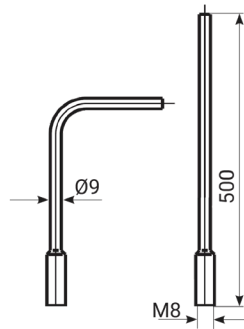


Order informations

Line (top) terminal

Order Code

800 021



Order informations

Pipe shaped flexible conductor with terminal screwed in top outlet of surge arrester for piercing clamps not suitable to direct connection to surge arrester.

Order Code

900 003

