



Category IEC / EN: Type 1+2 surge protection device (SPD)
 Location of use: Main and sub-distribution boards
 Networks: TT
 Protection modes: N-PE
 High surge discharge rating: I_{max} : 40 kA
 Complies with: EN 61643-11, IEC 61643-11
 Pluggable module
 Optimized to TOV

Technical data: C PRO N-PE 255

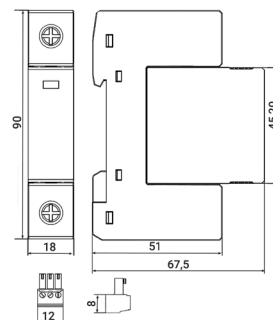
System nominal voltage(AC)	U_n	230/400 V (50/60 Hz)
Max.continuos operating voltage (AC)	U_c	255 Vac
Nominal discharge current (8/20)	I_n	20 kA
Max. discharge current (8/20)	I_{max}	40 kA
Voltage protection level at I_n	U_p	1,5 kV
Voltage protection level at 5kA	U_{res}	1,5 kV
Response time	t_a	<100 ns
Follow current	I_{fi}	100 A
Temporary overvoltage whitstand	U_{TOV}	1200V for 200 ms
Operating temperature range	t_a	-40 °C ... +80 °C
Operating state / fault indication		green / red
Number of ports		1

Mechanical characteristics

Min.cross section for terminals	mm ²	1,5 mm ² solid wire
Max.cross section for terminals	mm ²	25 mm ² flex. Wire/35 mm ² solid wire
Mounting		indoor/35 mm DIN rails acc. to EN 60715
Enclousure material/flammability rate		thermoplastic, gray, UL 94 V-0
Degree of protection		IP 20
Switching capacity (a.c.)		250 V / 0.5 A
Switching capacity (d.c.)		250 V / 0.1 A; 125 V / 0.2 A; 75 V / 0.5 A

Order informations

	Order Code	Weight
C PRO N-PE 255	600018	91 g
C PRO N-PE 255 -M (module)	600030	30 g





- Category IEC / EN: Type 2 surge protection device (SPD)
- Location of use: Main and sub-distribution boards
- Networks: TN-C
- Protection modes: L-PEN
- Impulse current discharge rating : $I_{max} : 40 \text{ kA}$
- Complies with: EN 61643-11, IEC 61643-11
- Pluggable module
- Remote signaling (option)
- Optimized to TOV

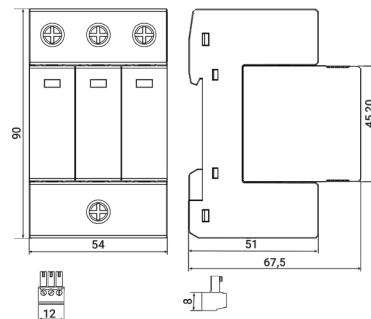
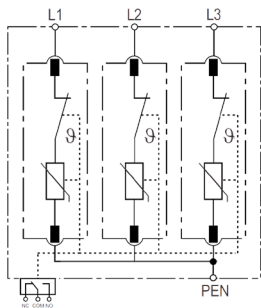
Technical data: C PRO 40/275 3P & C PRO 40/275 3P-R (with remote contact)

System nominal voltage(AC)	U_n	230/400 V (50/60 Hz)
Max.continuos operating voltage (AC)	U_c	275 Vac
Nominal discharge current (8/20)	I_n	20 kA
Max. discharge current (8/20)	I_{max}	40 kA
Voltage protection level at I_n	U_p	1,5 kV
Voltage protection level at 5kA	U_{res}	1 kV
Response time	t_a	< 25 ns
Temporary overvoltage 5 s	U_{TOV}	335 V- withstand
Temporary overvoltage 120 min	U_{TOV}	440 V-safe failure
Short circuit withstand capability with max.overcurrent protection	I_{SCCR}	50kArms
Max.overcurrent protection		125 AgG
Max.overcurrent protection with V connection		63 AgG
Operating temperature range	T_u	-40 °C ... +80 °C
Operating state / fault indication		green / red
Number of ports		1

Mechanical characteristics

Min.cross section for terminals	mm ²	1,5 mm ² solid wire
Max.cross section for terminals	mm ²	25 mm ² flex. Wire/35 mm ² solid wire
Mounting		indoor/35 mm DIN rails acc. to EN 60715
Enclousure material/flammability rate		thermoplastic, gray, UL 94 V-0
Degree of protection		IP 20
Type of remote signalling contact		changeover contact
Switching capacity (a.c.)		250 V / 0.5 A
Switching capacity (d.c.)		250 V / 0.1 A; 125 V / 0.2 A; 75 V / 0.5 A

Order informations	Order Code	Weight
C PRO 40/275 3P	600016	276 g
C PRO 40/275 3P-R (with remote contact)	600022	282 g
C PRO 40/275-M (module)	600029	43 g





- Category IEC / EN: Type 2 surge protection device (SPD)
- Location of use: Main and sub-distribution boards
- Networks: TN-S and TT
- Protection modes: L-N, N-PE
- Impulse current discharge rating : $I_{max} : 40 \text{ kA}$
- Complies with: EN 61643-11, IEC 61643-11
- Pluggable module
- Remote signaling (option)
- Optimized to TOV

Technical data: C PRO 40/275 3+1 & C PRO 40/275 3+1-R (with remote contact)

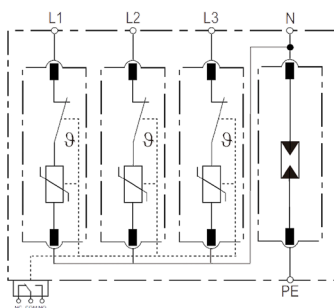
Protection mode		L-N	N-PE
System nominal voltage(AC)	U_n	230/400 V(50/60 Hz)	
Max.continuous operating voltage (AC)	U_c	275Vac	255Vac
Nominal discharge current (8/20)	I_n	20kA	
Max. discharge current (8/20)	I_{max}	40kA	
Voltage protection level at I_n	U_p	1,2 kV	1,5 kV
Voltage protection level at 5kA	U_{res}	1 kV	1,5 kV
Response time	t_a	< 25 ns	<100 ns
Temporary overvoltage 5 s	U_{TOV}	335 V- withstand	
Temporary overvoltage 120 min	U_{TOV}	440 V-safe failure	
Temporary overvoltage 1200 V for 200ms	U_{tov}		withstand
Short circuit withstand capability with max.overcurrent protection	I_{SCCR}	50 kArms	
Max.overcurrent protection		125 AgG	
Max.overcurrent protection with V connection	I_L	63 AgG	
Follow current	I_{fi}		100 A
Operating temperature range	t_a	-40 °C ... +80 °C	
Operating state / fault indication		green / red	
Number of ports		1	

Mechanical characteristics

Min.cross section for terminals	mm ²	1,5 mm ² solid wire
Max.cross section for terminals	mm ²	25 mm ² flex. Wire/35 mm ² solid wire
Mounting		indoor/35 mm DIN rails acc. to EN 60715
Enclousure material/flammability rate		thermoplastic, gray, UL 94 V-0
Degree of protection		IP 20
Type of remote signalling contact		changeover contact
Switching capacity (a.c.)		250 V / 0.5 A
Switching capacity (d.c.)		250 V / 0.1 A; 125 V / 0.2 A; 75 V / 0.5 A

Order informations

	Order Code	Weight
C PRO 40/275 3+1	600017	361 g
C PRO 40/275 3+1-R (with remote contact)	600023	368 g
C PRO 40/275-M (module)	600029	43 g
C PRO N-PE 255-M (module)	600030	30 g





- Category IEC / EN: Type 2 surge protection device (SPD)
- Location of use: Main and sub-distribution boards
- Networks: TN-C-S and TN-S
- Protection modes: L-N, N-PE
- Impulse current discharge rating : $I_{max} : 40 \text{ kA}$
- Complies with: EN 61643-11, IEC 61643-11
- Pluggable module
- Remote signaling (option)
- Optimized to TOV

Technical data: C PRO 40/275 4P & C PRO 40/275 4P-R (with remote contact)

System nominal voltage(AC)	U_n	230/400 V (50/60 Hz)
Max.continuous operating voltage (AC)	U_c	275 Vac
Nominal discharge current (8/20)	I_n	20 kA
Max. discharge current (8/20)	I_{max}	40 kA
Voltage protection level at I_n	U_p	1,5 kV
Voltage protection level at 5kA	U_{res}	1 kV
Response time	t_a	< 25 ns
Temporary overvoltage 5 s	U_{TOV}	335 V- withstand
Temporary overvoltage 120 min	U_{TOV}	440 V-safe failure
Short circuit withstand capability with max.overcurrent protection	I_{SCCR}	50kArms
Max.overcurrent protection		125 AgG
Max.overcurrent protection with V connection		63 AgG
Operating temperature range	T_u	-40 °C ... +80 °C
Operating state / fault indication		green / red
Number of ports		1

Mechanical characteristics

Min.cross section for terminals	mm ²	1,5 mm ² solid wire
Max.cross section for terminals	mm ²	25 mm ² flex. Wire/35 mm ² solid wire
Mounting		indoor/35 mm DIN rails acc. to EN 60715
Enclosure material/flammability rate		thermoplastic, gray, UL 94 V-0
Degree of protection		IP 20
Type of remote signalling contact		changeover contact
Switching capacity (a.c.)		250 V / 0.5 A
Switching capacity (d.c.)		250 V / 0.1 A; 125 V / 0.2 A; 75 V / 0.5 A

Order informations	Order Code	Weight
C PRO 40/275 4P	600020	276 g
C PRO 40/275 4P-R (with remote contact)	600028	282 g
C PRO 40/275-M (module)	600029	43 g

